

Why **SOFT** WATER?

Hard Water Produces Scale

Stains or buildup on your sinks and bathtubs, using large amounts of soap to clean dishes or wash your hair, or odd tasting or smelling water, are all results of hard water. If left untreated, the minerals in hard water will cause white stains on plumbing fixtures and be deposited as scale, eventually clogging plumbing and shortening the life of appliances like washing machines, water heaters, and dishwashers.



How the ChargerPro Thoroughbred Plated System Softens Water

Hard water passes through the media tank that contains resin beads coated with sodium ions. The calcium and magnesium ions are exchanged for sodium (or potassium) ions, thus 'softening' the water. When the beads have trapped the hardness and need to be regenerated, the control valve charges them with the brine from the brine tank.

As regeneration occurs, calcium and magnesium (hardness) ions are freed from the beads, replaced with sodium or potassium ions and the system is ready to soften water again.

ChargerPro Series Water Treatment Systems eliminate the effects of hard water. They "soften" the water by removing the calcium and magnesium, extending the useful life of water heaters, coffeemakers, humidifiers, and household plumbing as well as many other appliances and fixtures that water passes through by as much as 30%.

How **OUR** WATER

Collects Contaminants

Your Water, The Universal Solvent!

Water is considered the universal solvent. As it passes from liquid to vapor and back again, it tends to dissolve everything it touches - whether in the air as water vapor where it can mix with sulfur from smoke stacks forming acid or from the ground, absorbing calcium, magnesium, sulfur, iron, lead, and limestone - water can have a negative impact on you, your household, and your pocketbook.

Depending on where you live, contaminants from sewage, industrial waste, and agricultural run-off can also seep into your water supply.

How the ChargerPro Mustang Plated System works:

ChargerPro Mustang Plated Systems make it easy to enjoy cleaner, healthier, better tasting water throughout your home. Whether for drinking, cooking, bathing, or laundry, this system will improve the quality of your water.

Your water could contain chemical contaminants from pesticides, petroleum, solvents, or a variety of sources. Some water contains lead, mercury, or other heavy metals. **This system has the option of a variety of media combinations to reduce these contaminants.**

With a ChargerPro Mustang Plated System, you can protect appliances, household plumbing, and your water heater by reducing sediment, sand, or rust that can damage plumbing and appliances. Its automatic filters can reduce iron, sulfur, and odor from your water supply 24-hours a day, in most cases, without having filter cartridges to change or chemicals to purchase.

Why Choose the ChargerPro™ Mustang SYSTEM?



- **Efficient Water Softening & Filtering:** The ChargerPro Mustang Plated System saves water and up to 40% in salt usage.
- **Durability and Reliability:** Known for its longevity and minimal maintenance requirements.
- **Customizable Settings:** Water Treatment Professionals can customize the system to meet your specific water usage needs.
- **Advanced Technology:** The control valve design provides optimum service and backwash rates.
- **Mid-plate:** Used for keeping medias separate.
- **Bottom-plate:** Used for maximum efficiency in regeneration of resin.





Mustang - 1" Series

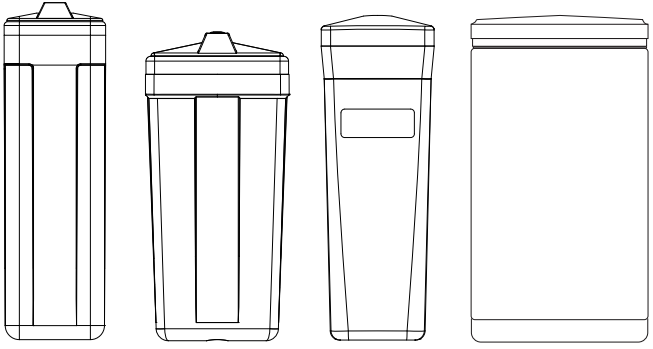
Plated Water Softening
and Filtering Systems



Delivering Cleaner, Healthier
Water Across America

www.chargerwater.com

Single Tank Model	Model #	Grains Capacity 9 lbs/cu ft	Grains Capacity 15 lbs/cu ft	Mineral Tank	SVC (Service) Flow Rate	Backwash Rate
	Single Tank Models with 1" Bottom and Mid-Plate and Brine Tank					
	CZDMSFP-32R-1	24,000	30,000	10 X 54	5 gpm	2.2 gpm
	CZDMSFP-40R-1	36,000	40,000	12 X 52	7.5 gpm	2.7 gpm
	CZDMSFP-48R-1	36,000	48,000	13 X 54	10 gpm	3.2 gpm
CZ Valve				A variety of media combinations are available.		
		 <p>Mid-Plate</p>		 <p>Bottom Plate</p>		
<p>Typical medias used in the ChargerPro Mustang filter systems: Anthracite, Birm®, Calcite, Corosex®, Carbon, Filter-Ox™, Filter-Ag®/Filter-Ag Plus®, Katalox Light®, KDF®, & NextSand™. Other medias are available depending your application. Contact your water treatment professional for more information.</p>						

	<p>MINERAL TANK AVAILABLE COLORS: Black and Natural <i>Mineral tank jackets are available upon request. Mineral tanks are available with or without dome hole. Optional outdoor weather covers.</i></p> <p>BRINE TANK AVAILABLE COLORS: Black, Almond, Blue, Platinum</p> <p>BRINE TANK AVAILABLE SIZES: Square/Rectangular: 11x11, 15x17, 15x15 Round: 18x33, 18x36, 18x40</p>
---	---

ChargerPro Mustang Valve Benefits

- Easily upgrade to Charger's Total Connect Wi-Fi system
- Backlit screen for easy troubleshooting
 - Blue=Normal, Yellow=Programming Mode or Salt Alarm, Red=Major Error
- Allows for downflow and upflow (not field changeable)
- Displays are in English or Spanish
- Up to three relay options
- Ability to add Dealer names and contact information on screen
- Battery time back up (keeps clock accurate in power outage)
- Learn one set of programming: one board is used for 1", 1.25", 1.5"

ChargerPro Mustang - 1" Series Valve Specifications

- Inlet/Outlet (1) 3/4" to 1.5" NPS Adapter
 Cycles..... up to 5
 Valve Material Fiber Reinforced Composite
 Regeneration..... Downflow/Upflow
- Operating Pressures**
 Minimum/Maximum 20 psi - 125 psi
- Operating Temperatures**
 Minimum/Maximum 40° - 110°F

Brine tank performance insurance

All Charger water softeners may be ordered with optional salt grid which helps to prevent salt bridging.

