

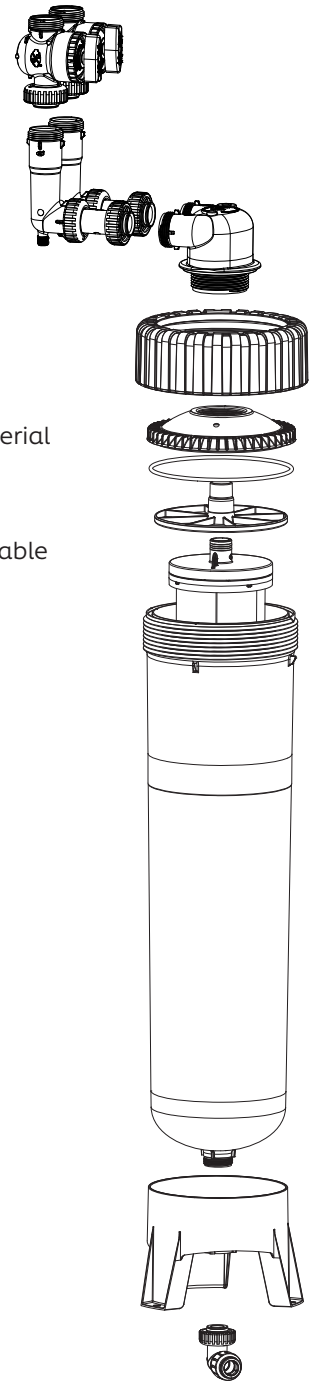
Cartridge Tank	Model # Tank Only	Model # Complete Kit
	CF3100C	CF3100KIT



Whole House Water Filtration System Cartridge Tank for water filtration applications

Features:

- Injection molded using glass-filled composite material for strength and durability
- Seamless design for higher pressure capabilities
- Three different micron range sediment filters available
- Sediment/carbon filters sold separately
- Made in the USA
- 5-year warranty



Shown with optional fittings.
Sold separately.



90° Union Adapter Kit



Bypass

Friesian Cartridge Tank Specifications

Material	Glass-filled composite
Operating Pressures	
Minimum/Maximum	20 psi - 125 psi
Operating Temperatures	
Minimum/Maximum	40° - 110°F
Dimensions	
Overall height	40.5"
Width	10.3"

