

Installation Instructions and Owners Manual

Congratulations on the purchase of your new plated water softener/filter featuring the Clydesdale control system. Enjoy lasting peace of mind, knowing your system is built to deliver years of reliable, softened and filtered water.



Table of Contents

Installation Information: Your Water Test1
 Pre-Installation Instructions2
 Installation.....3-4
 Bypass Valve Operation5
 Start Up Instructions6
 Front Cover and Drive Assembly.....7
 Valve Body Piston Seal Parts Diagram8
 Injector Parts9
 Installer Display Settings.....10
 User Display Settings.....11-12
 General System Information.....13
 Spec Sheet14
 Product Warranty.....15

ORIGINAL INSTALLATION INFORMATION

Water Treatment Professional: _____ Phone: _____
 Installation Date: ____/____/____
 Install location: _____
 Model No: _____
 Serial No: _____
 Water Test: Hardness _____ TDS _____ pH _____ Other _____
 Water Source: City Well Other
 Unit Capacity: Max _____ Min _____ Per Regeneration
 Mineral Tank Size: Diameter _____ Height _____
 Brine Tank Size: Diameter _____ Height _____
 Salt Setting Per Regen: _____ lbs
 Time of Regeneration: _____ AM PM
 DLFC: _____ GPM
 Fill Rate: _____ GPM (0.5 unless otherwise specified)
 Injector#/Color: _____

Your Clydesdale Water Softening/Filtering System is a precision built, high quality product. This unit will deliver softened/filtered water, for many years, when installed and operated properly. Please study this manual carefully. This manual should be kept for future reference.

If you have questions regarding your water softener, contact your local Water Treatment Professional or Charger Water Treatment Products at 8150 N. Lehigh Ave, Morton Grove, IL 60053 • www.chargerwater.com

Pre-Installation Instructions

The manufacturer has preset the water treatment unit's cycle times, salt dose, exchange capacity, and the salt dose refill time.

The water treatment professional should read this page and guide the installer through setting the Hardness, Days Override, and Time of Regeneration prior to installation.

Protect your system from chlorine and chloramines found in municipal raw water supplies.

For the installer, the following settings should be used:

1. **Program Installer Settings**
 - A. Day Override (factory set to 14)
 - B. Time of Regeneration (preset to 2:00AM)
2. **Set Time of Day**
 - A. For the homeowner, please read user display settings.

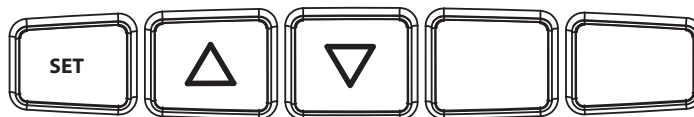
Water Softeners/Filters:

During operation, the normal user display is time of day or volume remaining. Other displays are available and can be viewed by pressing the SET button to scroll through them. When stepping through any programming, if no buttons are pressed within 5 minutes, the display returns to a normal user display. Any changes made prior to the 5-minute time out are incorporated.

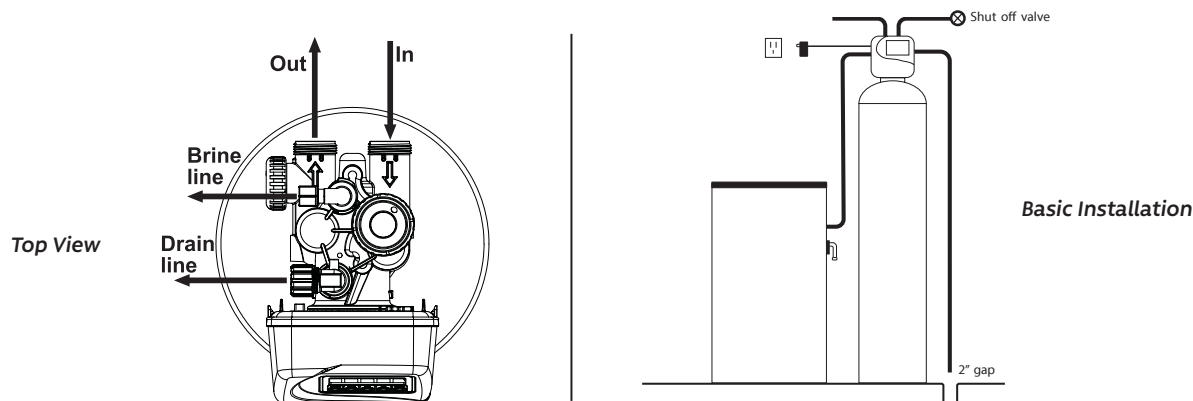
To initiate a manual regeneration at the preset delayed regeneration time, simultaneously press ▼ and ▲ and release. The arrow will point to the word Regen if a regeneration is expected "tonight." To cancel the regeneration simultaneously press ▼ and ▲ and release.

To initiate a manual regeneration immediately, simultaneously press ▼ and ▲ for three seconds. The system will begin to regenerate immediately. The request cannot be canceled.

Note: For softeners, if brine tank does not contain salt, fill with salt and wait at least two hours before regenerating.



Installation



GENERAL INSTALLATION & SERVICE WARNINGS

The control valve, fittings, and/or bypass are designed to accommodate minor plumbing misalignments but are not designed to support the weight of a system or the plumbing.

Do not use Vaseline, oils, other hydrocarbon lubricants or spray silicone anywhere. A silicon lubricant may be used on black o-rings, but is not necessary.

Do not use pipe dope or other sealants on threads. Teflon tape must be used on the threads of the 1" NPT elbow or the 1/4" NPT connection and on the threads for the drain line connection. Teflon tape is not necessary on the nut connections or caps because o-ring seals are used. The nuts and caps are designed to be unscrewed or tightened by hand or with the special plastic service wrench, V3193-02. If necessary, a pliers can be used to unscrew the nut or cap. Do not use a pipe wrench to tighten or loosen nuts or caps. Do not place screwdriver in slots on caps and/or tap with a hammer.

SITE REQUIREMENTS:

- Water pressure, 40-90 psi
 - Water temperature, 40°-100°F
 - The tanks should be on a firm, level surface
 - Current draw is 0.25 amperes
 - A 15-foot power cord is furnished
 - The plug-in transformer is for dry locations only
 - Electrical: Use a 115/120v, 60Hz uninterrupted outlet
1. The distance between the drain and the water conditioner should be as short as possible. All plumbing should be done in accordance with local plumbing codes.
 2. Since salt must be periodically added to the brine tank, it should be located where it is easily accessible.
 3. Do not install any water conditioner, with less than 10 feet of piping, between its outlet and the inlet of a water heater. Protect system from vacuum, reverse flow, and negative pressure.
 4. Do not locate unit where it or its connections (including the drain and overflow lines) will ever be subjected to room temperatures under 34°F. Do not install in direct UV sunlight or on waters with high chlorine or chloramines found in some city water supplies.
 5. The use of resin cleaners in an unvented enclosure is not recommended.
 6. **INLET/OUTLET PLUMBING:** Connect to a supply line downstream of outdoor spigots. Install an inlet shutoff valve and plumb to the unit's bypass valve inlet located at the right rear as you face the unit. There are a variety of installation fittings available. They are listed under Installation Fitting Assemblies. When assembling the installation fitting package (inlet and outlet), connect the fitting to the plumbing system first and then attach the nut, split ring, and o-ring. Heat from soldering or solvent cements may damage the nut, split ring, or o-ring. Solder joints should be cool and solvent cements should be set before installing the nut, split ring, and o-ring. Avoid getting solder flux, primer, and solvent cement on any part of the o-rings, split rings, bypass valve, or control valve. If the building's electrical system is grounded to the plumbing, install a copper grounding strap from the inlet to the outlet pipe. Plumbing must be done in accordance with all applicable local codes.

7. **DRAIN LINE:** First, be sure that the drain can handle the backwash rate of the system. Solder joints near the drain must be done prior to connecting the drain line flow control fitting. Leave at least 6" between the drain line flow control fitting and solder joints. Failure to do this could cause interior damage to the flow control. Install a 1/2" I.D. flexible plastic tube to the drain line barb assembly or the 5/8" O.D. nut assembly and use the 3/4" NPT fitting for rigid pipe. Where the drain line is elevated but empties into a drain below the level of the control valve, form a 7" loop at the discharge end of the line so that the bottom of the loop is level with the drain connection on the control valve. This will provide an adequate anti-siphon trap. Where the drain empties into an overhead sewer line, a sink-type trap must be used. Run drain tube to its discharge point in accordance with plumbing codes. Pay special attention to codes for air gaps and anti-siphon devices.
8. **BRINE TANK CONNECTION:** Install a 3/8" O.D. polyethylene tube from the refill elbow to the brine valve in the brine tank.
9. **OVERFLOW LINE CONNECTION:** AN OVERFLOW DRAIN LINE IS RECOMMENDED WHERE A BRINE OVERFLOW COULD DAMAGE FURNISHINGS OR THE BUILDING STRUCTURE.

Your softener may be equipped with a brine tank safety float which greatly reduces the chance of an accidental brine overflow. In the event of a malfunction, however, an OVERFLOW LINE CONNECTION will direct the "overflow" to the drain instead of spilling on the floor where it could cause considerable damage. This fitting should be on the side of the cabinet or the brine tank. Attach a length of 1/2" I.D. tubing (not supplied) to fitting and run to drain. Do not elevate overflow line higher than 3" below bottom of overflow fitting. Do not "tie" this tube into the drain line of the control valve. Overflow line must be a direct, separate line from overflow fitting to drain, sewer, or tub. Allow for an air gap per local codes.

IMPORTANT: Never insert a drain line directly into a drain, sewer line, or trap. Always allow an air gap between the drain line and the wastewater to prevent the possibility of sewage being back-siphoned into the conditioner.

10. **SERIAL NUMBER:** Record the serial number on the installer's and customer's records.

Bypass Valve - The bypass valve is typically used to isolate the control valve from the plumbing system's water pressure in order to perform control valve repairs or maintenance.

Bypass Valve

The bypass valve is particularly unique in the water treatment industry due to its versatility and state-of-the-art design features. The 1" full flow bypass valve incorporates four positions including a diagnostic position that allows service personnel to work on a pressurized system while still providing untreated bypass water to the facility or residence. Its completely non-metallic, all plastic design allows for easy access and serviceability without the need for tools.

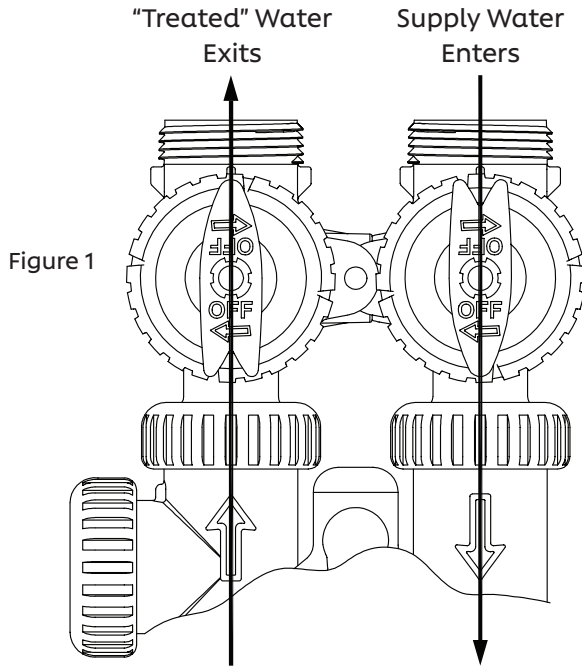
The bypass body and rotors are fiber reinforced composite and the nuts and caps are glass-filled polypropylene. All seals are self-lubricating EPDM to help prevent valve seizing after long periods of non-use.

The bypass consists of two interchangeable plug valves that are operated independently by red, arrow-shaped handles. The handles identify the flow direction of the water. The plug valves enable the bypass valve to operate in four positions. (See page 5)

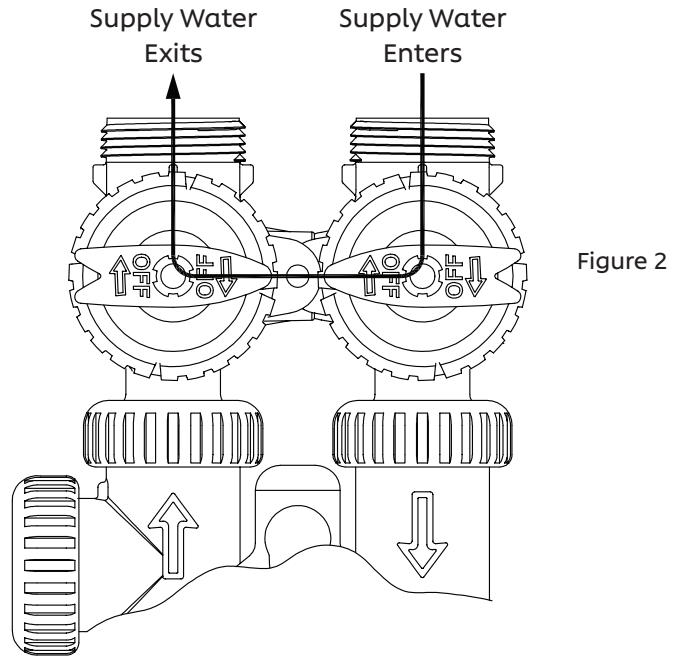
1. **Normal Operation Position:** The inlet and outlet handles point in the direction of flow indicated by the engraved arrows on the control valve. Water flows through the control valve during normal operation and this position also allows the control valve to isolate the media bed during the regeneration cycle. (See Figure 1 on page 5)
2. **Bypass Position:** When the inlet and outlet handles point to the center of the bypass, the control valve is isolated from the water pressure contained in the plumbing system. Untreated water is supplied to the plumbing system. (See Figure 2 on page 5)
3. **Diagnostic Position:** The inlet handle points in the direction of flow and the outlet handle points to the center of bypass valve, system water pressure is allowed to the control valve and the plumbing system while not allowing water to exit from the control valve to the plumbing. (See Figure 3 on page 5)
4. **Shut Off Position:** When the inlet handle points to the center of the bypass valve and the outlet handle points in the direction of flow, the water is shut off to the plumbing system. If water is available on the outlet side of the softener, it is an indication of water bypass around the system (i.e. a plumbing connection somewhere in the building bypasses the system). (See Figure 4 on page 5)

Bypass Valve Operation

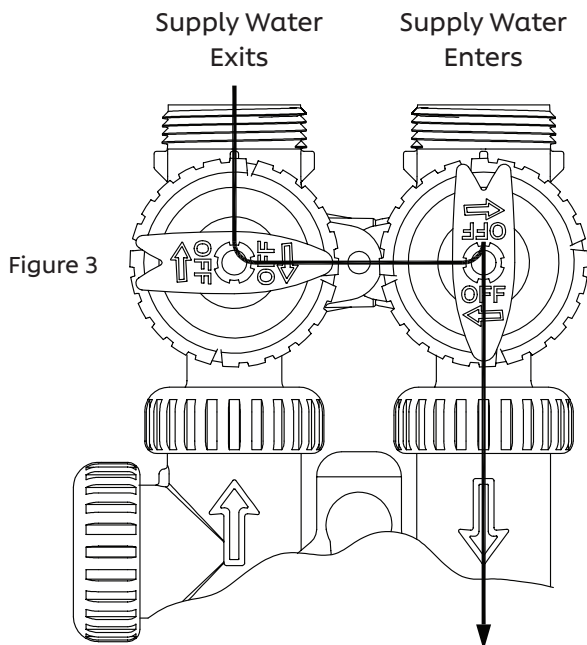
NORMAL OPERATION



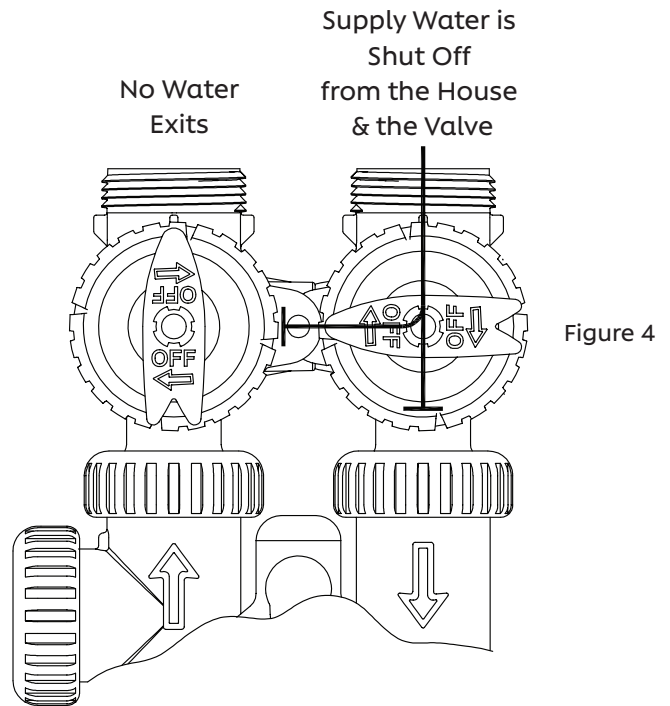
BYPASS OPERATION



DIAGNOSTIC MODE



SHUT OFF MODE



Start Up Instructions

- A. After installation is completed and checked for leaks, rotate the bypass handles to the bypass position. (See Bypass Valve Diagram on page 5.)
- B. Fully open a cold water faucet.
- C. Allow water to run until clear to rid pipes of debris, which may have occurred during installation.
- D. The system is now ready for testing:
 1. With the bypass valve in the bypass position, manually pour enough water into the brine tank to reach the top of the air check valve.
 2. Press and hold the ▼ and ▲ button simultaneously until the drive motor starts. Wait until the motor stops and the display reads "C1 Backwash." The backwash time will begin to count down.
 3. Open the inlet handle of the bypass valve, very slightly, allowing water to fill the tank slowly in order to expel air. CAUTION: If water flows too rapidly, there will be a loss of media out of the drain.
 4. When the water is flowing steadily to the drain without the presence of air, press the ▲ button to advance the control to the brine position. The brine time will begin to count down.
- E. Fully open the inlet bypass valve handle (bypass is now in the Diagnostic Position - see page 5 for illustration). Check to verify that water is being drawn from the brine tank. There should be a slow flow to the drain. Allow three minutes for the media bed to settle.
- F. Press the ▲ button again to advance the control to the next position and allow water to run to drain for 2-3 minutes. Control will transfer and the display will read "BACKWASH" or "RINSE" depending on the program used. If "BACKWASH" is displayed, press the ▲ button to advance the control to the RINSE position. Allow water to run to drain until clear.
- G. Press the ▲ button to advance the control to where the display reads "FILL". This will allow water to run into the brine tank and prepare it for the next regeneration. Allow the brine tank to fill automatically.
- H. While the brine tank is filling, load it with water softener salt.
- I. **UPON INSTALL OR AFTER SERVICING THE SYSTEM, SANITIZE THE SYSTEM.** Add one packet of ProProducts Sani-System® into the brine tank. Press and hold the ▼ and ▲ buttons to begin regeneration. Allow the system to complete the regeneration automatically. The system will now be sanitized and producing soft water. Be sure to check for local codes, which may also specify sanitization methods.

Front Cover and Drive Assembly

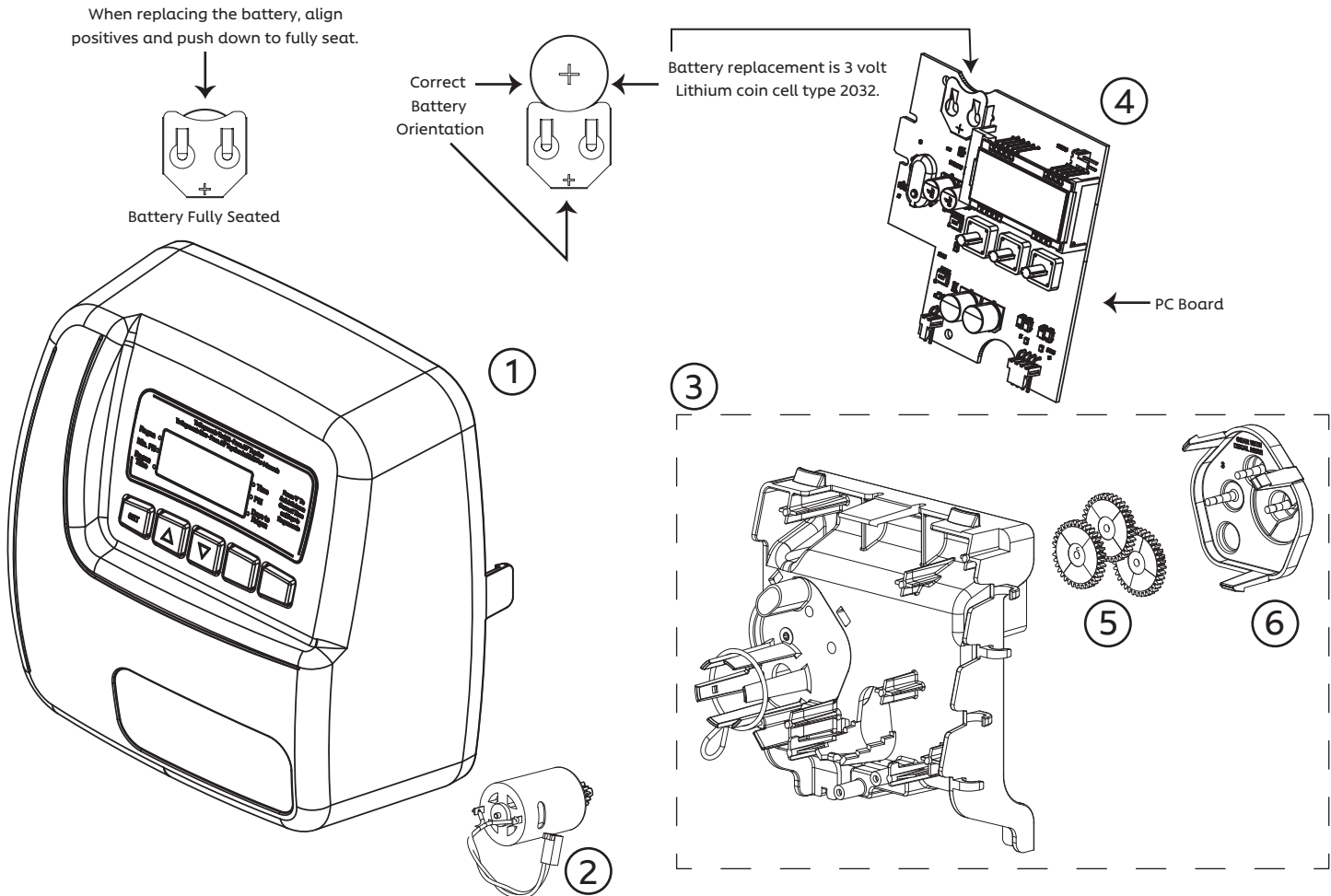
Drawing No.	Order No.	Description	Quantity
1	V3545-02	CT FRONT COVER ASSEMBLY	1
2	V3107-01	CT MOTOR ASY	1
3	V3002-A	CT DRIVE BRACKET ASY	1
4	V3818CT-01BOARD	CT-01 4-DIGIT PCB REPLACE	1
5	V3110	CT DRIVE REDUCING GEAR 12X36	3
6	V3109	CT DRIVE GEAR COVER	1
Not Shown	V3186-06	CT POWER SUPPLY US 15VDC HOCP	1
	V3186-01	CT POWER CORD ONLY	
Not Shown	V3178	CT DRIVE BACK PLATE	1

Refer to Control Valve Service Manual for other drawings and part numbers.

Relay Driver Output Type - Single Solid-State 12VDC "wet" contact - N.O. Relay
 Driver Output Capacity - 12VDC @100mA

NOTE: Check for proper mounting dimensions on valve back plate prior to mounting an external relay under control cover.

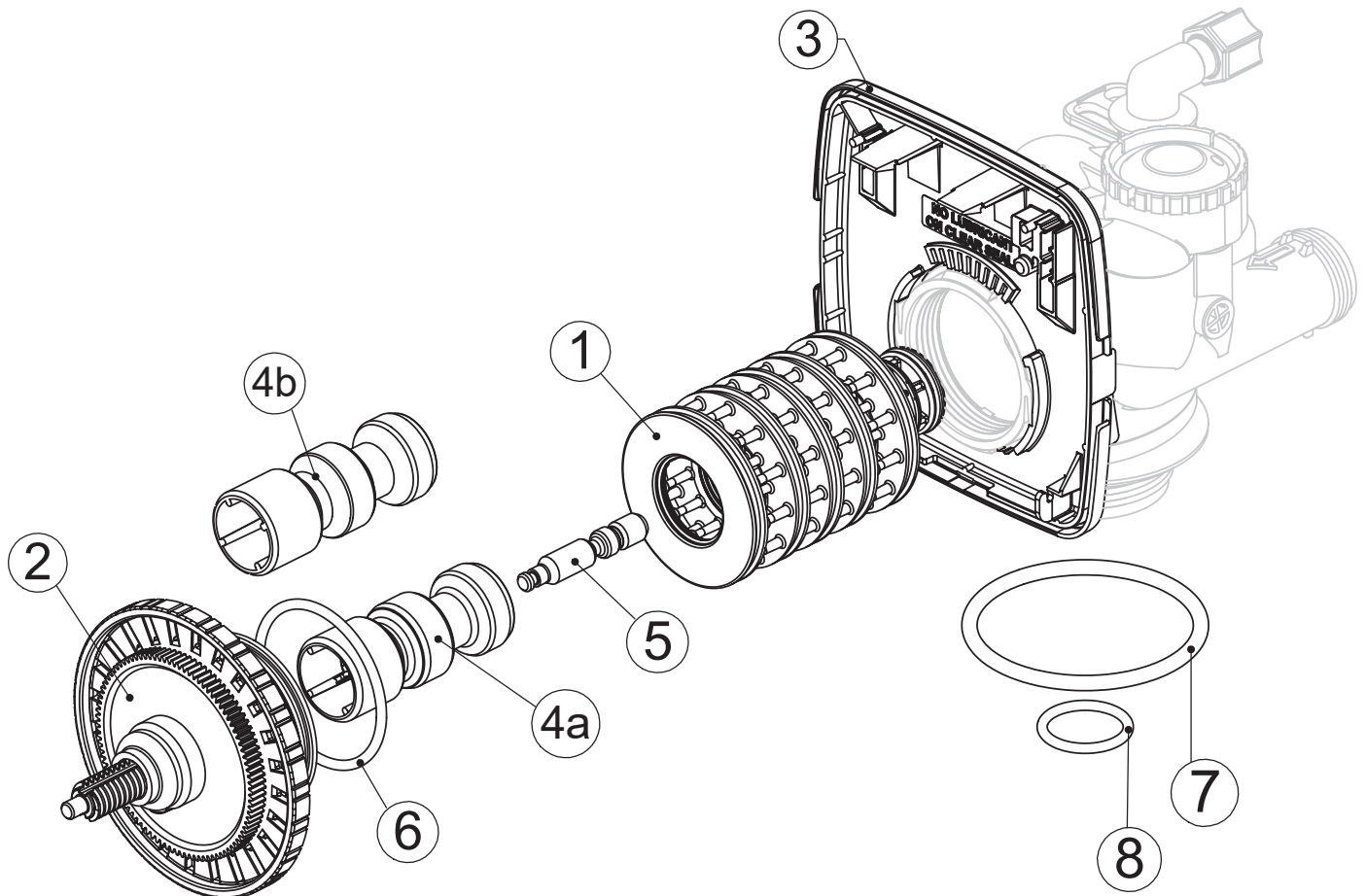
Power Supply	U.S.
Supply Voltage	100-120 VAC
Supply Frequency	50/60 Hz
Output Voltage	15 VDC
Output Current	500 mA



Valve Body Piston Seal Parts Diagram

Drawing No.	Order No.	Description	Quantity
1	V3005-02	CT SPACER STACK ASSEMBLY	1
2	V3004	DRIVE CAP ASSEMBLY	1
3	V3946	CT WIDE DRIVE BACK PLATE	1
4	V3011	CT PISTON DOWNFLOW ASSEMBLY	1
5	V3174	CT REGENERANT PISTON	1
6	V3135	O-RING 228	1
7	V3180	O-RING 337	1
8	V3105	O-RING 215 (DISTRIBUTOR TUBE)	1
Not Shown	V3001	CT BODY ASSEMBLY DOWNFLOW	1

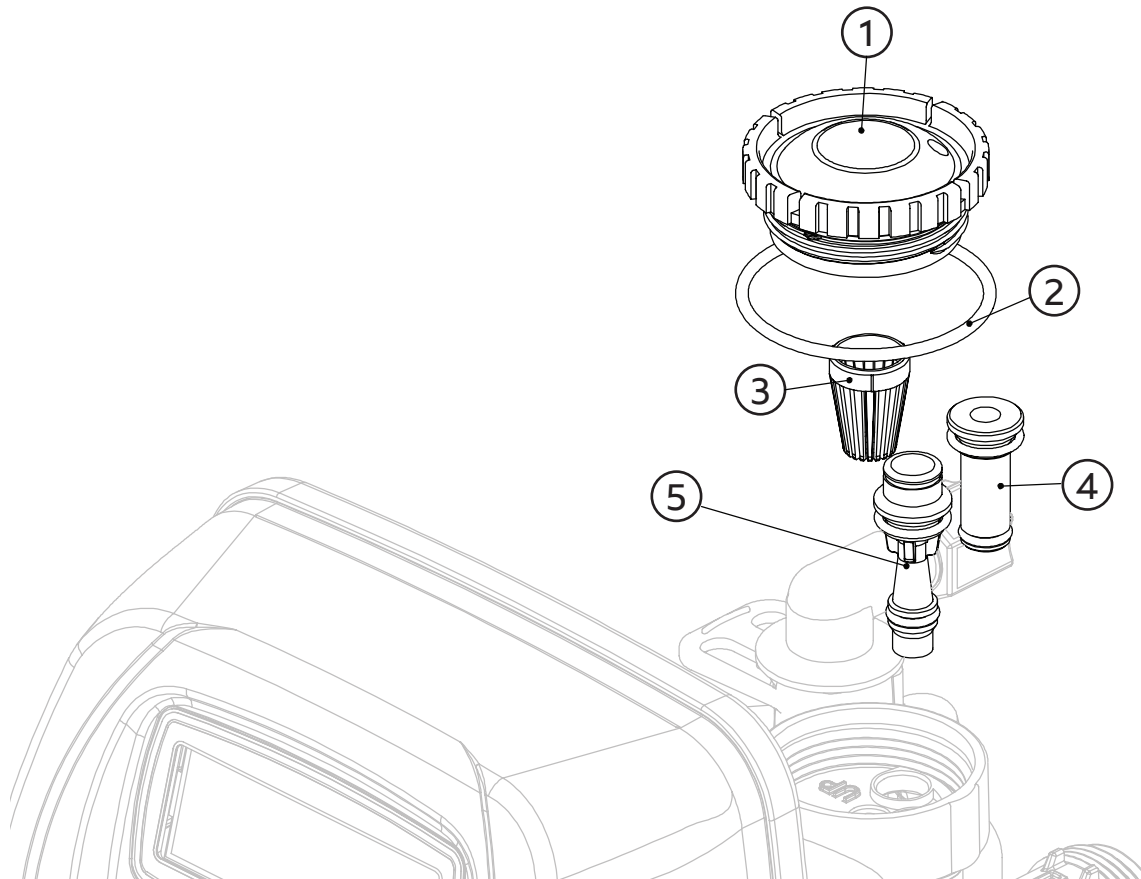
Note: The regenerant piston is not used in backwash only applications.

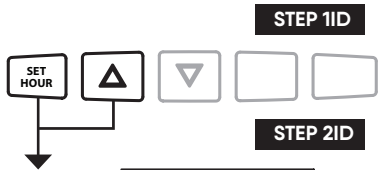


Injector Cap, Injector Screen, Injector, Plug, and O-Ring

Drawing No.	Order No.	Description	Typical Tank Diameter		Quantity
			Down	Up	
1	V3176	INJECTOR CAP			1
2	V3152	O-RING 135			1
3	V3177-01	INJECTOR SCREEN CAGE			1
4	V3010-1Z	INJECTOR ASSY Z PLUG			1
5	V3010-1A	INJECTOR ASSY A - BLACK	6"	8"	1
	V3010-1B	INJECTOR ASSY B - BROWN	7"	9"	
	V3010-1C	INJECTOR ASSY C - VIOLET	8"	10"	
	V3010-1D	INJECTOR ASSY D - RED	9"	12"	
	V3010-1E	INJECTOR ASSY E - WHITE	10"	13"	
	V3010-1F	INJECTOR ASSY F - BLUE	12"	14"	
	V3010-1G	INJECTOR ASSY G - YELLOW	13"	16"	
	V3010-1H	INJECTOR ASSY H - GREEN	14"	18"	
	V3010-1I	INJECTOR ASSY I - ORANGE	16"	22"	
Not Shown	V3170	O-RING 011			*
Not Shown	V3171	O-RING 013			*

The injector plug and the injector each contain one 011 (lower) and one 013 (upper) o-ring.





STEP 11D

STEP 11D - Access this mode by pressing SET and ▲ for approximately 3 seconds. The number of days between regenerations may need to be varied based on usage and water conditions.



STEP 21D

STEP 21D – Set Regeneration Time Hour. Set the time for regeneration to start. Press SET to go to the next step.



STEP 31D

STEP 31D – Set Regeneration Time Minutes. Press SET to go to the next step.



STEP 41D

STEP 41 – Set number of Days between regeneration cycles. The allowable range is 1-99. Press SET to go to Step 51D. (This step will not appear if the 7-day clock option is selected.)



STEP 51D

STEP 51 – LCD Backlight Operation. Set the backlight to be normally ON or OFF. When set to OFF, the backlight will go off after 5 minutes of no keypad activity. Press SET to exit Installer Displays and Settings.



STEP 117

STEP 117 - Access this mode by pressing SET and ▲ for approximately 3 seconds. The number of days between regenerations may need to be varied based on usage and water conditions.



STEP 217

STEP 217 – Set Regeneration Time Hour. Set the time for regeneration to start. Press SET to go to the next step.



STEP 317

STEP 317 – Set Regeneration Time Minutes. Set SET to go to the next step.



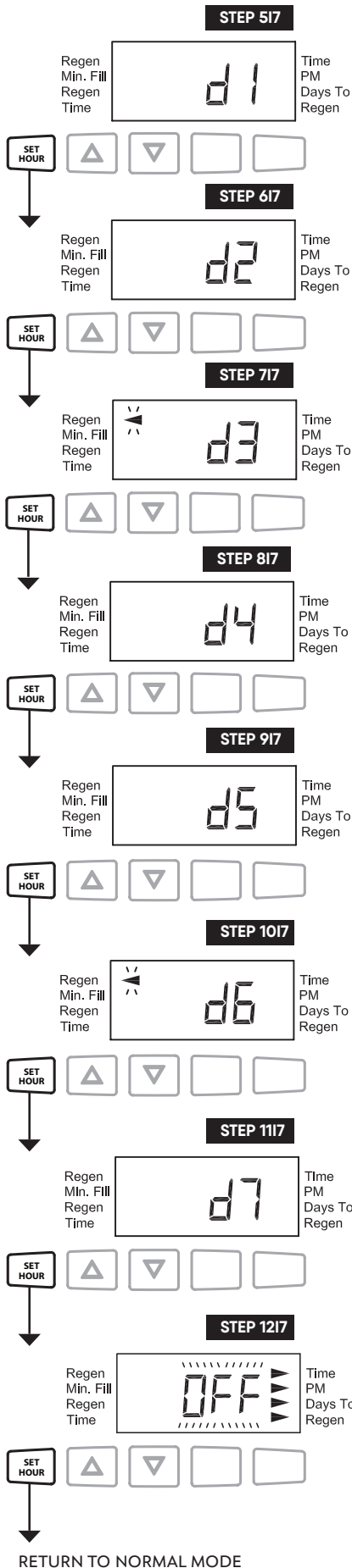
STEP 417

STEP 417 – Current Day of the Week: Set the current day of the week by using ▲ or ▼ buttons. (See chart at right for date codes.) Press SET to go to STEP 517. (This step will not appear if the 99-day option is selected.)



Installer Displays and Settings (7-day option)

Display	Day of Week
day 1	d1 Sunday
day 2	d2 Monday
day 3	d3 Tuesday
day 4	d4 Wednesday
day 5	d5 Thursday
day 6	d6 Friday
day 7	d7 Saturday



STEP 517 – Sunday Regeneration: To regenerate on Sunday use ▲ or ▼ until the arrow points to Regen. If the arrow does not point to Regen a regeneration will not occur on Sunday. Press SET to go to STEP 617.

STEP 617 – Monday Regeneration: To regenerate on Monday use ▲ or ▼ until the arrow points to Regen. If the arrow does not point to Regen a regeneration will not occur on Monday. Press SET to go to STEP 717.

STEP 717 – Tuesday Regeneration: To regenerate on Tuesday use ▲ or ▼ until the arrow points to Regen. If the arrow does not point to Regen a regeneration will not occur on Tuesday. Press SET to go to STEP 817.

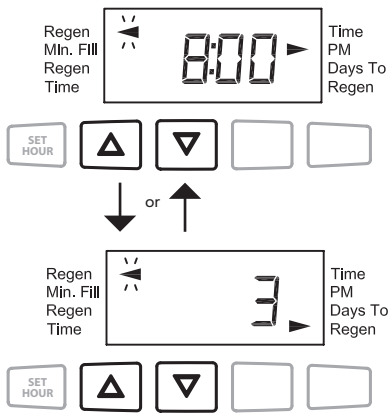
STEP 817 – Wednesday Regeneration: To regenerate on Wednesday use ▲ or ▼ until the arrow points to Regen. If the arrow does not point to Regen a regeneration will not occur on Wednesday. Press SET to go to STEP 917.

STEP 917 – Thursday Regeneration: To regenerate on Thursday use ▲ or ▼ until the arrow points to Regen. If the arrow does not point to Regen a regeneration will not occur on Thursday. Press SET to go to STEP 1017.

STEP 1017 – Friday Regeneration: To regenerate on Friday use ▲ or ▼ until the arrow points to Regen. If the arrow does not point to Regen a regeneration will not occur on Friday. Press SET to go to STEP 1117.

STEP 1117 – Saturday Regeneration: To regenerate on Saturday use ▲ or ▼ until the arrow points to Regen. If the arrow does not point to Regen a regeneration will not occur on Saturday. Press SET to go to STEP 1217.
NOTE: If all arrows are turned off in d1-d7, the program will default to d7.

STEP 1217 – LCD Backlight Operation. Set the backlight to be normally ON or OFF. When set to OFF, the backlight will go off after 5 minutes of no keypad activity. Press SET to exit Installer Displays and Settings.



When the system is operating one of two displays will be shown. Pressing ▲ or ▼ will alternate between the displays. One of the displays is always the current time of day. The second display is the days remaining until the next regeneration. If the days remaining is equal to one, a regeneration will occur at the next preset regeneration time. The user can scroll between displays as desired.

If the system has called for a regeneration that will occur at the preset time of regeneration, the arrow will point to Regen.

REGENERATION MODE



Typically a system is set to regenerate at a time of low water usage. An example of a time with low water usage is when a household is asleep. If there is a demand for water when the system is regenerating, untreated water will be used.

When the system begins to regenerate, the display will change to the Regeneration Cycle Display to indicate the current regen cycle step and time remaining. An arrow will also point to Regen. The system will run through the steps automatically and will reset itself to provide treated water when the regeneration is completed.

MANUAL REGENERATION

An arrow will point to the word Regen if a regeneration is expected "tonight".



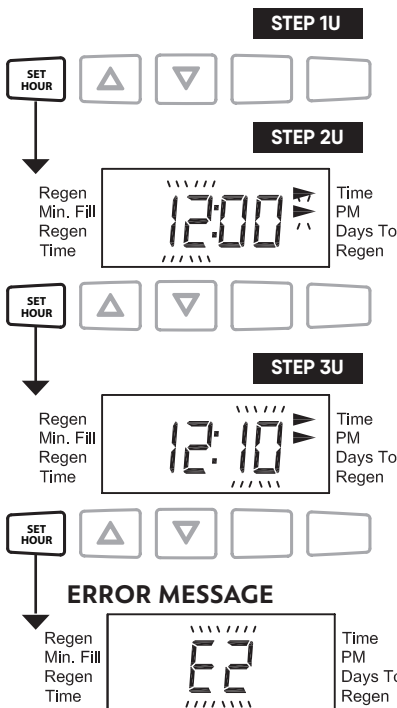
Sometimes there is a need to regenerate the system sooner than when the system calls for it, usually referred to as a manual regeneration. There may be a period of heavy water usage because of guests or a heavy laundry day.

To initiate a manual regeneration at the preset delayed regeneration time, simultaneously press ▲ and ▼ and release. The arrow will point to the word Regen if a regeneration is expected "tonight." To cancel the regeneration simultaneously press ▲ and ▼ and release.

To initiate a manual regeneration immediately, simultaneously press ▲ and ▼ for three seconds. The system will begin to regenerate immediately. The request cannot be canceled.

Note: For softeners, if brine tank does not contain salt, fill with salt and wait at least two hours before regenerating.

SET TIME OF DAY



STEP 1U - Press SET.

STEP 2U - Current time: Adjust hour with ▲ or ▼. With 60 Hz line frequency detection on power-up, timekeeping is 12 hour with PM indicator. With 50 Hz line frequency detection on power-up, timekeeping is 24 hour without the PM indicator. Press SET to go to Step 3U.

STEP 3U - Adjust minutes with ▲ or ▼. Press SET to exit Set Time of Day.

If "E1," "E2," "E3" or "E4" appears on the display contact the OEM for help. This indicates that the valve did not function properly.

General System Information

Error Codes

Error codes are rare. The most common cause is power supply (brown out, etc.). If any error message appears, contact your Water Treatment Professional immediately.

Leaks

If there is a leak on or by your water softener, put the unit in BYPASS (see bypassing information on page 4) and contact your local Water Treatment Professional immediately.

Hard Water





If you believe you do not have "soft" water:

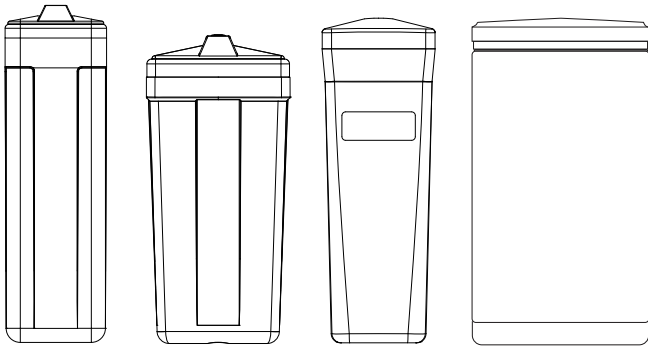
- Verify unit is plugged in, the outlet has power, and the display is on, either gray LCD (light "Off") or blue LED (light "On").
- Make sure the bypass is in the NORMAL position. If the bypass valve is in the BYPASS position, return it to the NORMAL position.
- Check the brine tank for adequate salt (sodium chloride or potassium chloride). The "dry" salt level should be above the water level. If it is not, add enough salt to cover the water, wait approximately 2 hours, then initiate a manual regeneration (see page 11), either immediate or delayed.
- Make sure the time of day is set correctly. If not, set the correct time of day (see page 12).

Additional Issues

- Unit used too much salt
- Loss of water pressure
- Staining with conditioned water
- Excessive water in brine tank

The above issues and other concerns not listed in this manual should be addressed with your local Water Treatment Professional.

Single Tank Model	Model #	Grains Capacity 9 lbs/cu ft	Grains Capacity 15 lbs/cu ft	Mineral Tank	SVC (Service) Flow Rate	Backwash Rate
	Single Tank Models with 1" Bottom and Mid-Plate and Brine Tank					
	CTDMSFP-32R-1	24,000	30,000	10 X 54	5 gpm	2.2 gpm
	CTDMSFP-40R-1	36,000	40,000	12 X 52	7.5 gpm	2.7 gpm
	CTDMSFP-48R-1	36,000	48,000	13 X 54	10 gpm	3.2 gpm
	CT Valve				A variety of media combinations are available.	
						
<p>Typical medias used in the ChargerPro Clydesdale filter systems: Anthracite, Birm®, Calcite, Corosex®, Carbon, Filter-Ox™, Filter-Ag®/Filter-Ag Plus®, Katalox Light®, KDF®, & NextSand™. Other medias are available depending your application. Contact your water treatment professional for more information.</p>						

	<p>MINERAL TANK AVAILABLE COLORS: Black and Natural Mineral tank jackets are available upon request. Mineral tanks are available with or without dome hole. Optional outdoor weather covers.</p> <p>BRINE TANK AVAILABLE COLORS: Black, Almond, Blue, Platinum</p> <p>BRINE TANK AVAILABLE SIZES: Square/Rectangular: 11x11, 15x17, 15x15 Round: 18x33, 18x36, 18x40</p>
---	--

ChargerPro Clydesdale Valve Benefits

- Backlit screen for easy viewing
- Allows for downflow
- Battery time back up (keeps clock accurate in power outage)
- Learn one set of programming: one board is used for 1" and 1.25"
- Twelve preset programs available


ChargerPro Clydesdale - 1" Series Valve Specifications

Inlet/Outlet (1) 3/4" to 1.5" NPS Adapter
 Cycles..... up to 5
 Valve Material Fiber Reinforced Composite
 Regeneration Downflow/Upflow

Operating Pressures
 Minimum/Maximum 20 psi - 125 psi

Operating Temperatures
 Minimum/Maximum 40° - 110°F

Brine tank performance insurance
 All Charger water softeners may be ordered with optional salt grid which helps to prevent salt bridging.



Limited Warranty

Charger Water hereby warrants, to the original purchaser of its water treatment equipment*, that the control valve is free of defects in materials or workmanship for a period of 60 months for "Clack" controls. Owner shall promptly report to the Installing Retail Company or Charger Water Treatment Products, 8150 N. Lehigh Ave, Morton Grove, IL, any defect in material or workmanship and Charger Water shall, at Charger Water's option, repair or replace the part or parts involved if returned to Charger Water with transportation or freight charges prepaid. No factory labor will be charged for repairing or replacing defective parts during the limited warranty. This warranty shall not apply to any part that has been damaged by improper installation or maintenance, any modification from original design or manufacture, subjected to temperatures below 32°F, above 120°F, operated in water pressure that exceed 120 psi, any water line vacuum, or damaged by any circumstance beyond our control.

Subject to all conditions and limitations set above, at the site of original installation; any brine tank/cabinet proved defective in material or workmanship will be warranted for a period of 5 years and any residential mineral tank for a period of 10 years.

**All other and/or fittings, brine tank internal components, mineral tank internal components shall be warranted to be free of defects in material and workmanship for a period of one year subject to conditions and limitations set forth above.*

This warranty sets forth Charger Water's sole obligation and purchaser's exclusive remedy for defective product. Charger Water shall not be liable for consequential, incidental, or contingent damages whatsoever.

The forgoing warranties are exclusive and in lieu of all other expressed or implied warranties, including, but not limited to, the implied warranties of merchantability and fitness for a particular purpose, shall not extend beyond the duration or the applicable expressed warranties provided herein.

This warranty gives you specific legal rights. You have implied warranty rights. In the event of a problem with warranty service or performance, you may be able to go to small claims court, a state court, or a federal court.

